

Description

Alltime Digital timer Signal controller is used for acoustic signalling control at factories, offices, farms and schools. It runs in an automatic mode according to the preset programs
 There is an internal battery which can protect real time clock and all the settings when the electric power supply is off for 9 years +.


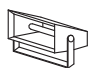
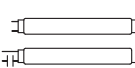
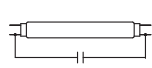
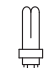
Features

- Factories, offices, farms & school signal controller
- 9 + years power reserve(lithium battery).
- 40 programs
- Sealable cover of the front panel, easy setting by 4 keys.
- Automatic summer/winter time changeover
- LCD display with backlight
- Holiday mode.
- single channel
- Manual control by keys combination.
- Automatic transfer of weekdays.
- 24-264VAC/DC input supply.
- Double-module, mounted on TH-35 DIN rail.

Technical data

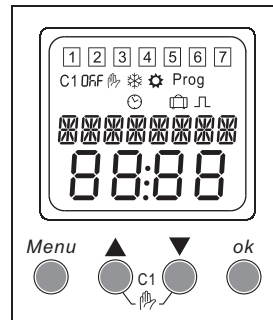
Model	Alltime 16A/250 AC1
Supply terminals	A1-A2
Rated voltage	AC/DC24-264V
Rated frequency	50/60Hz, 0
Supply voltage tolerance	±10%
Power consumption	1W
Number of channels	Single channel
Number of programs	40
Program	weekly program, daily program
Mode of work	manual, automatic, holiday
Summer/winter time	off, automatic changes
Time tolerance	≤1s/day at 25°C
Power reserve	9 years +
Data readout	LCD display with backlight
Number of contacts	1 C/O
Current of contacts	16A/250V AC1
Switching capacity	4000VA/AC1, 384W/DC
Mechanical life	10 ⁶
Electrical life	10 ⁵
Rated insulation voltage	250V
Protection degree	IP20
Pollution degree	3
Altitude	≤2000m
Ambient temperature	-20°C~55°C
Permissible relative humidity	≤50%(40°C,without condensation)
Storage temperature	-30°C~70°C
Wire size	1mm ² ~ 4mm ²
Tightening torque	0.5Nm
Mounting	TH-35 Rail(EN60715)
Dimensions	90*36*64mm
Standard	IEC60730-1/IEC60730-2-7

Maximum pilotable power

				
2300W	2300W	1000W	500W	500W

Operating instruction






Screen display and keys



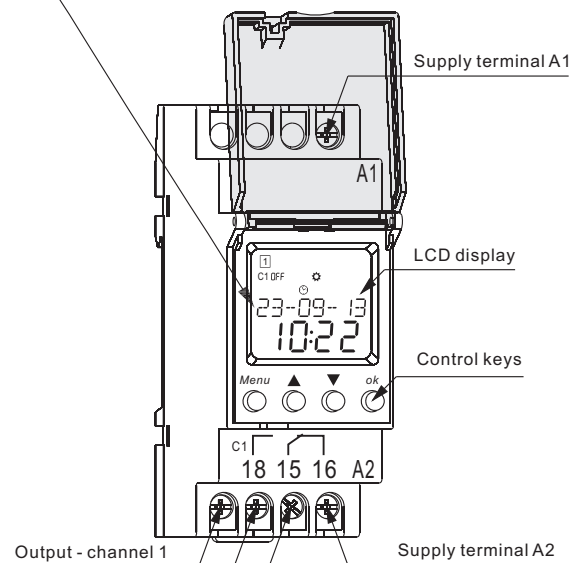
Symbol legend

- 1 2 3 4 5 6 7 — Days of the week Monday, Tuesday, ...Sunday
- C1 — Channel 1
- OFF — Relay status
- ☉ — Automatic mode
- ☞ — Manual mode
- 🏠 — Holiday mode
- ❄️ — Winter time
- ⚙️ — Summer time
- Prog — Program setting
- ⏏️ — Pulse

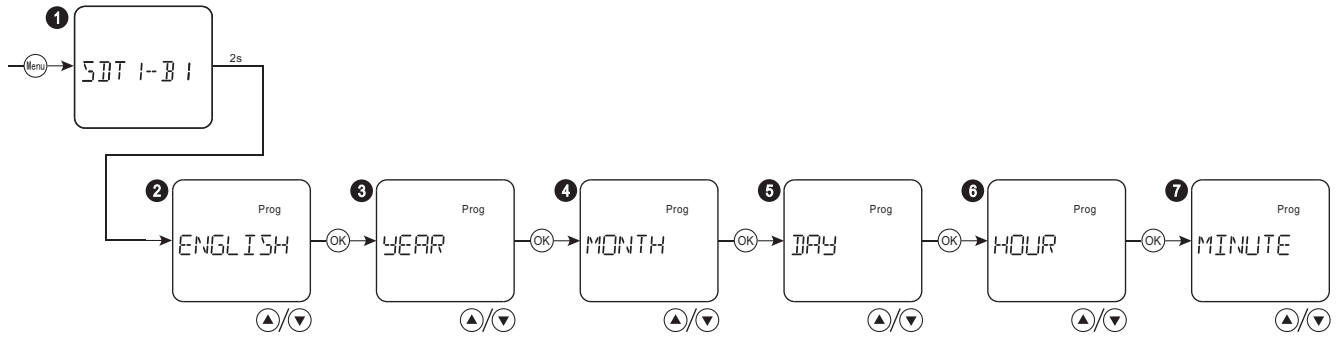
Keys

	○ Enter main menu ○ Back to main menu		○ Confirm selection
	○ Select menu ○ Increase a numerical value		○ Select menu ○ Decrease a numerical value
	○ C1 manual operation		

23-09-13: DD-MM-YY, 23th.September.2013



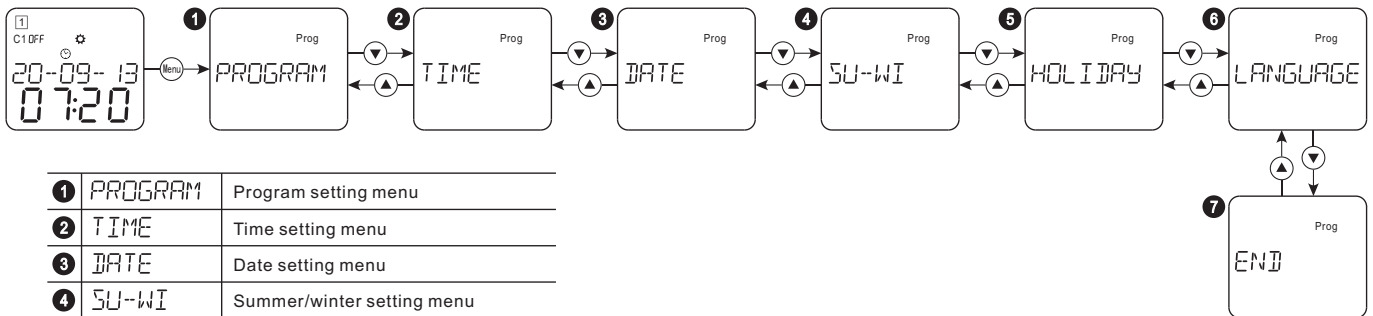
□ Initial operation



- 1 Press "Menu" key, the model of the device will display for 2 seconds
- 2 Select the desired language with "▲▼" keys and press "Ok" key.
- 3 Select adequate year with "▲▼" keys and press "Ok" key.
- 4 Select adequate month with "▲▼" keys and press "Ok" key.
- 5 Select adequate day with "▲▼" keys and press "Ok" key.
- 6 Select adequate hour with "▲▼" keys and press "Ok" key.
- 7 Select adequate minute with "▲▼" keys and press "Ok" key.

Note: If the settings were not ended and not operate by keys for 2 minutes, device will return to ENGLISH menu.

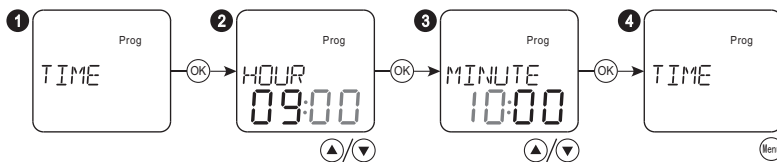
□ Main menu



1	PROGRAM	Program setting menu
2	TIME	Time setting menu
3	DATE	Date setting menu
4	SU-WI	Summer/winter setting menu
5	HOLIDAY	Holiday mode setting menu
6	LANGUAGE	Language setting menu
7	END	End settings and exit from menu

- Press **MENU** key to enter menus setting, and symbol **Prog** appears.
- If not operated for 1 minute, the device will automatically exit from setting.
- Select the desired menu by pressing "▲▼" keys.

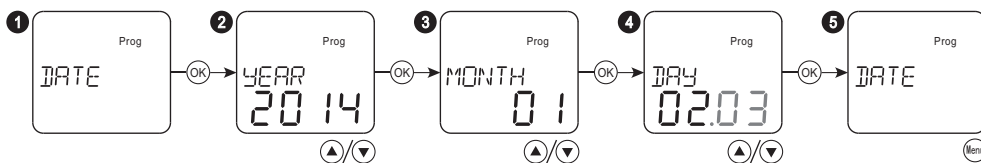
● Set time



- 1 Select **TIME** and press "Ok" key.
- 2 Select adequate hour with "▲▼" keys and press "Ok" key. adjusting range is 0~23.
- 3 Select adequate minute with "▲▼" keys and press "Ok" key. adjusting range is 0~59.
- 4 Exit from the setting by pressing "Menu" key.

Long press ▲ 0.5s, increase the numerical value quickly |
 Long press ▼ 0.5s, decrease the numerical value quickly |

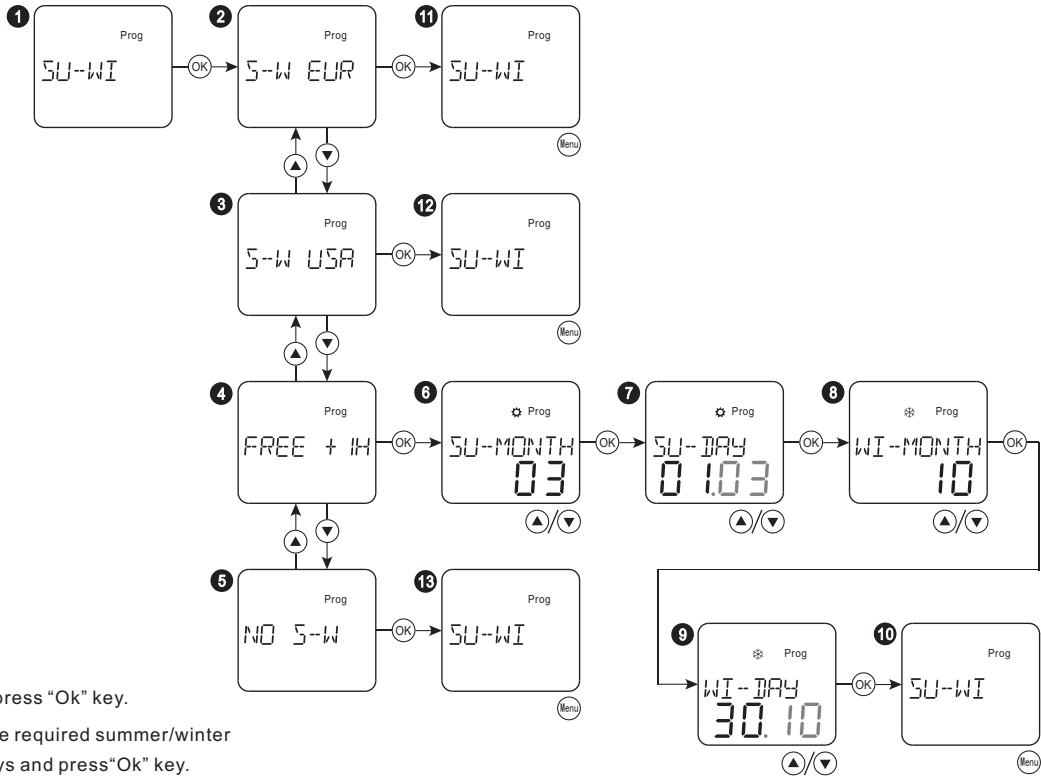
● Set date



- 1 Select **DATE** and press "Ok" key.
- 2 Select adequate year with "▲▼" keys and press "Ok" key. adjusting range is 2000~2095.
- 3 Select adequate month with "▲▼" keys and press "Ok" key.
- 4 Select adequate day with "▲▼" keys and press "Ok" key.
- 5 Exit from the setting by pressing "Menu" key.

Long press ▲ 0.5s, increase the numerical value quickly |
 Long press ▼ 0.5s, decrease the numerical value quickly |

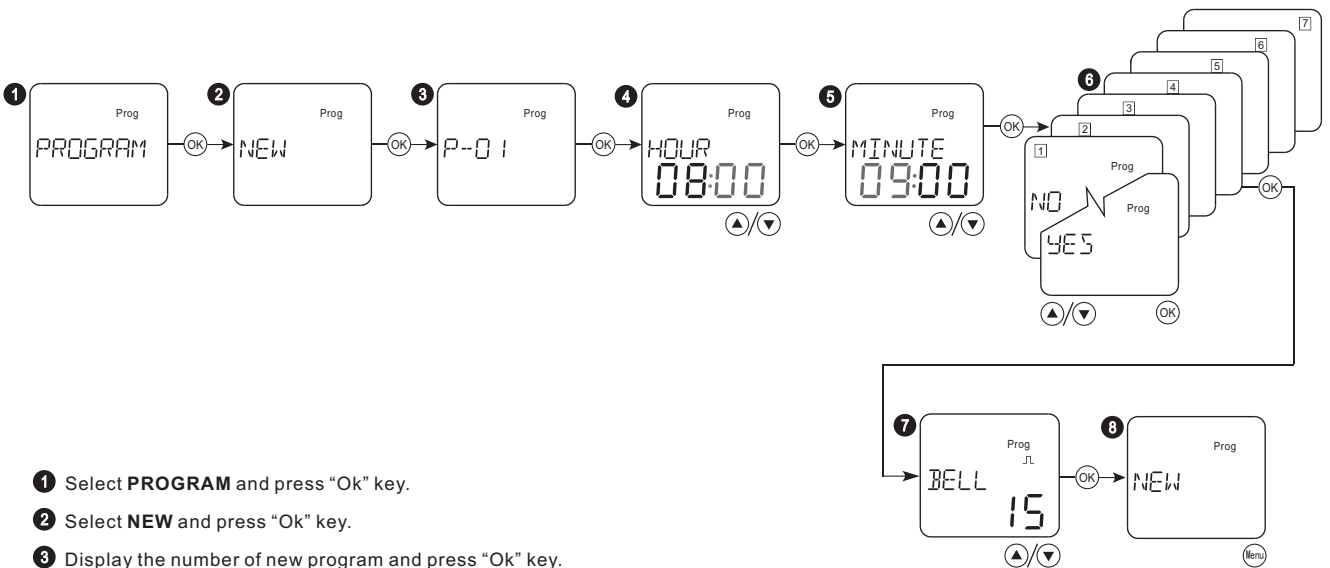
● Switchover summertime/wintertime



- 1 Select **SU-WI** and press "Ok" key.
- 2 3 4 5 Select the required summer/winter mode with "▲▼" keys and press "Ok" key.
- 6 Set the start month of summer time and press "Ok" key.
- 7 Set the start day of summer time and press "Ok" key.
- 8 Set the start month of winter time and press "Ok" key.
- 9 Set the start day of winter time and press "Ok" key.
- 10 11 12 13 Exit from the setting by pressing "Menu" key.

Display	Function	Summer switching	Winter switching
S-W EUR	Europe sum/win	Last Sunday in March	Last Sunday in October
S-W USA	U.S.A sum/win	Second Sunday in March	First Sunday in November
FREE + 1H	Free sum/win	Freely programmed	Freely programmed
NO S-W	No sum/win	None	None

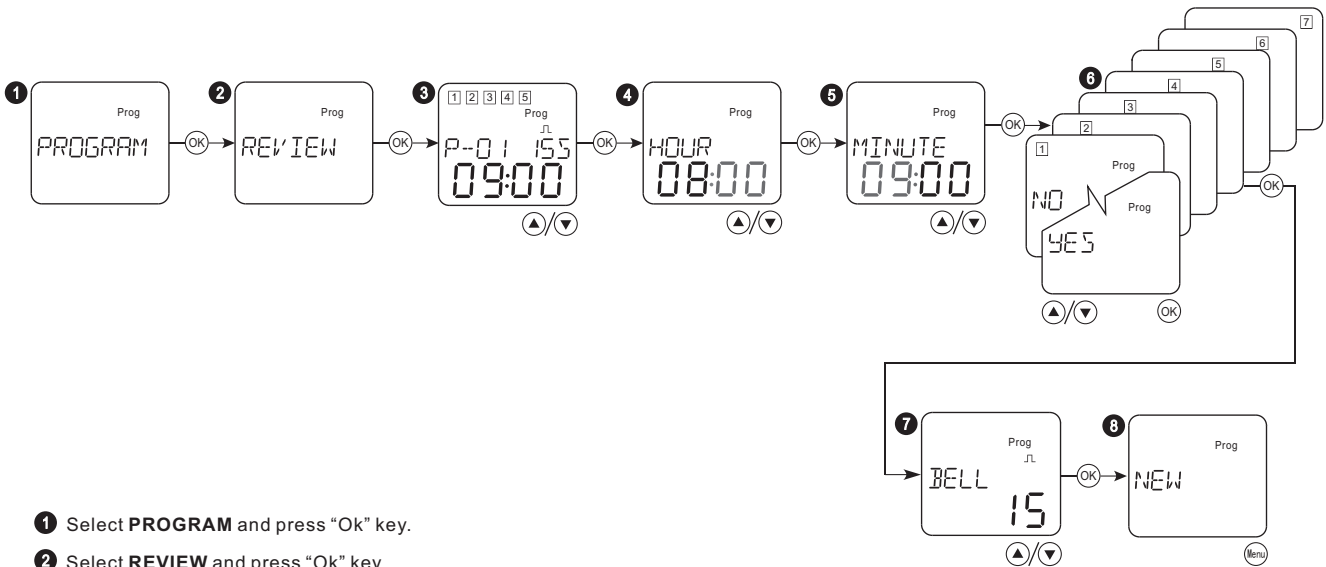
● Create a new program



- 1 Select **PROGRAM** and press "Ok" key.
- 2 Select **NEW** and press "Ok" key.
- 3 Display the number of new program and press "Ok" key.
- 4 Set the hour with "▲▼" keys and press "Ok" key.
- 5 Set the minute with "▲▼" keys and press "Ok" key.
- 6 Set the program activity on a week day(from Monday to Sunday) with "▲▼" key
If YES is selected, program operation is enabled for flashing day. If NO is selected, program is not used for flashing day.
- 7 Set bell ring duration with "▲▼" keys and press "Ok" key. The setting range is 0-59s.
- 8 Exit from the setting by pressing "Menu" key.

Long press ▲0.5s, increase the numerical value quickly
Long press ▼0.5s, decrease the numerical value quickly

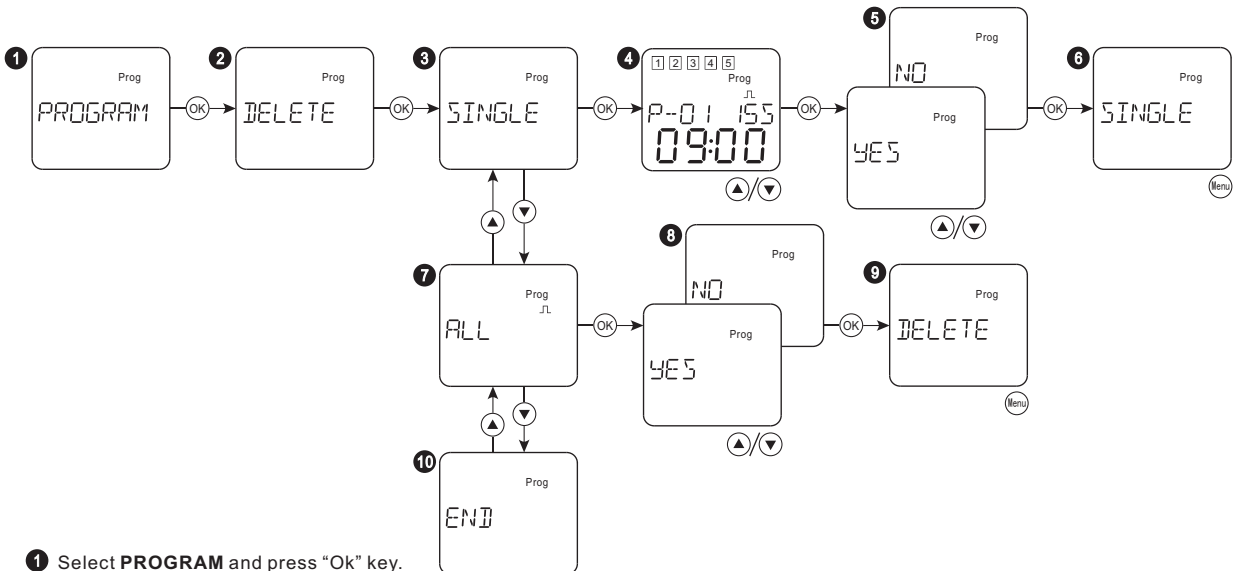
● Modify a program



- 1 Select **PROGRAM** and press "Ok" key.
- 2 Select **REVIEW** and press "Ok" key.
- 3 Select the desired program with "▲▼" keys and press "Ok" key.
- 4 Set the hour with "▲▼" keys and press "Ok" key.
- 5 Set the minute with "▲▼" keys and press "Ok" key.
- 6 Set the program activity on a week day(from Monday to Sunday) with "▲▼" key
If YES is selected, program operation is enabled for flashing day. If NO is selected, program is not used for flashing day.
- 7 Set bell ring duration with "▲▼" keys and press "Ok" key. The setting range is 0-59s.
- 8 Exit from the setting by pressing "Menu" key.

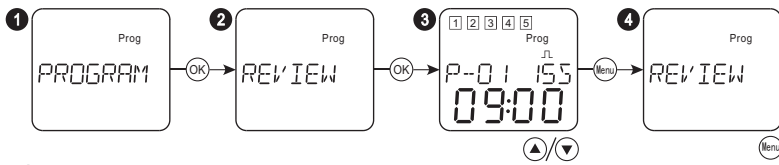
Long press ▲0.5s, increase the numerical value quickly |
Long press ▼0.5s, decrease the numerical value quickly

● Delete a program



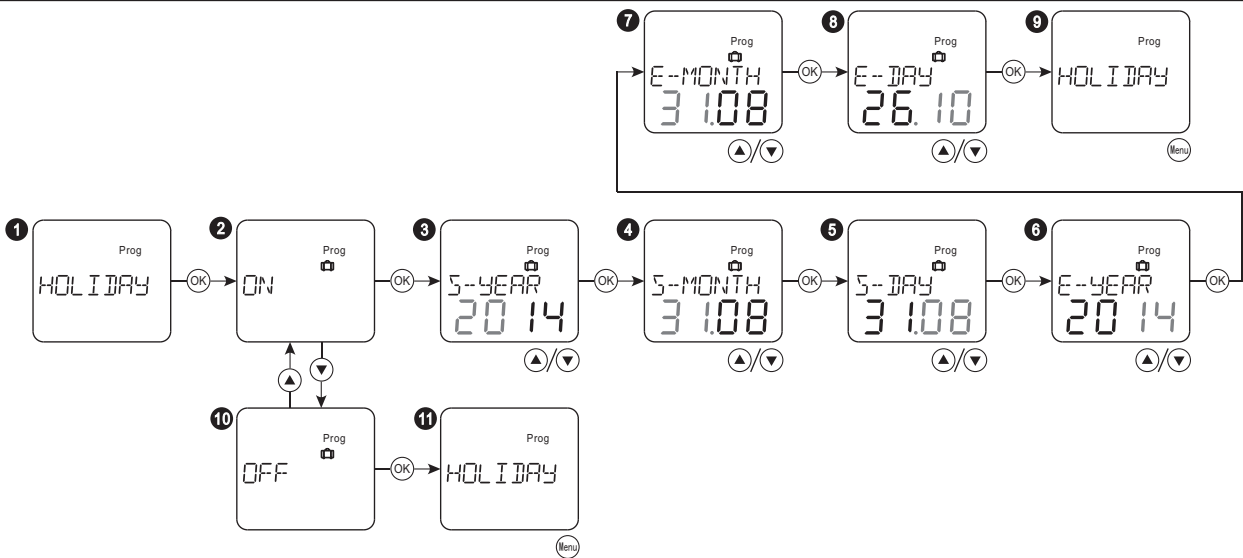
- 1 Select **PROGRAM** and press "Ok" key.
- 2 Select **DELETE** and press "Ok" key.
- 3 Select **SINGLE** to delete single program and press "Ok" key.
- 4 Select the desired program with "▲▼" keys and press "Ok" key.
- 5 Select YES or NO with "▲▼" keys and press "Ok" key.
- 6 Return to **SINGLE** sub-menu, Exit from the setting by pressing " Menu".
- 7 Select **ALL** to delete all programs and press "Ok" key.
- 8 Select "YES" or "NO" with "▲▼" keys and press "Ok" key.
- 9 Return to **DELETE** sub-menu, Exit from the setting by pressing "Menu".
- 10 End program setting.

● Check a program



- 1 Select **PROGRAM** and press "Ok" key.
- 2 Select **REVIEW** and press "Ok" key.
- 3 View the operation of the set programs with "▲▼" keys and press "Ok" key.
- 4 Exit from the setting by pressing "Menu" key.

● Holiday program

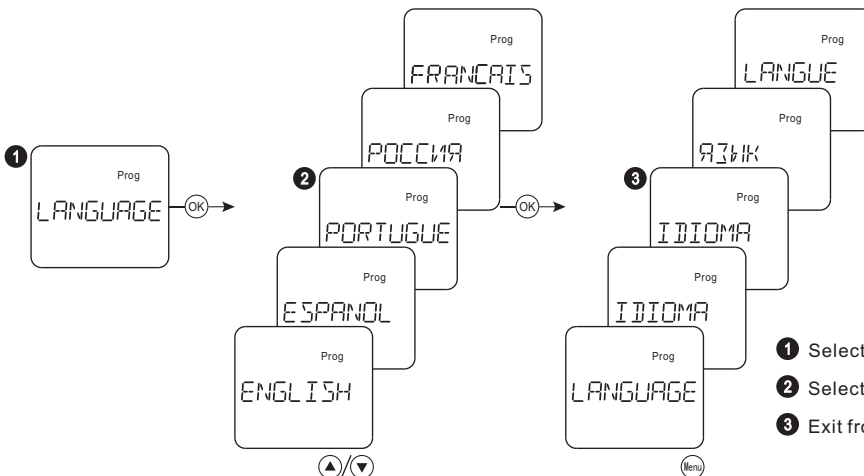


- 1 Select **HOLIDAY** and press "Ok" key.
- 2 Select **ON** to activate holiday mode and press "Ok" key.
- 3 Set the start year of holiday with "▲▼" keys and press "Ok" key.
- 4 Set the start month of holiday with "▲▼" keys and press "Ok" key.
- 5 Set the start day of holiday with "▲▼" keys and press "Ok" key.
- 6 Set the end year of holiday with "▲▼" keys and press "Ok" key.
- 7 Set the end month of holiday with "▲▼" keys and press "Ok" key.
- 8 Set the end day of holiday with "▲▼" keys and press "Ok" key.
- 9 Return to **HOLIDAY** menu. Exit from the setting by pressing "Menu" key.
- 10 Select **OFF** to deactivate holiday mode and press "Ok" key.
- 11 Return to **HOLIDAY** menu. Exit from the setting by pressing "Menu" key.

Long press ▲ 0.5s, increase the numerical value quickly
 Long press ▼ 0.5s, decrease the numerical value quickly

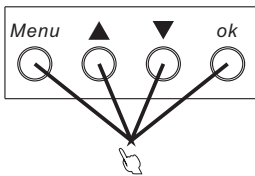
□ Language setting

● Select menu language



- 1 Select **LANGUAGE** and press "Ok" key.
- 2 Select the desired language with "▲▼" and press "Ok" key.
- 3 Exit from the setting by pressing "Menu" key.

Reset



Press the four keys simultaneously for 3 seconds to reset automatically. The device was restored to factory settings.

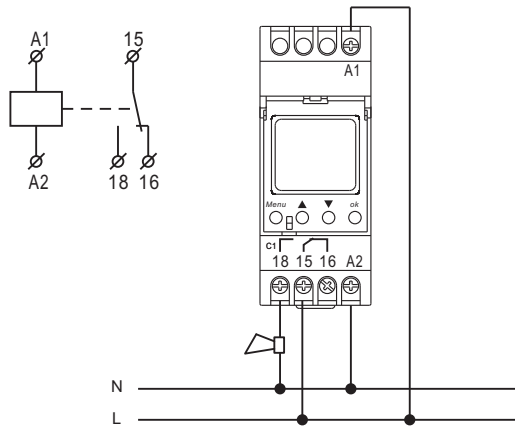
Keys combination for MANUAL control



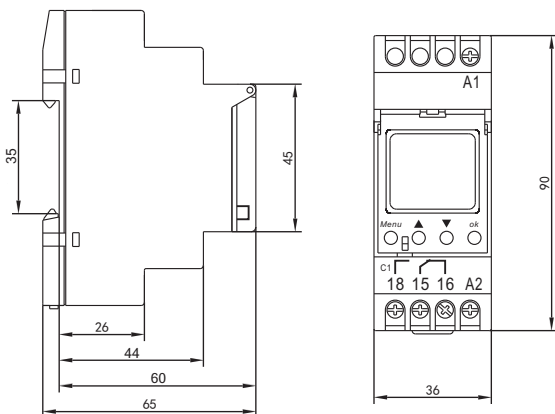
Press “▲▼” keys simultaneously, the output state of channel 1 switches to MANUAL.

When the output states of other operation modes was changed, Manual mode exits automatically.

Wiring diagram



Dimensions



Safety instruction



WARNING

- Please disconnect the power supply before installation.
- Connect the supply voltage as stated on the product.

- 1.The device should be installed, operated and maintained by qualified personnel.
- 2.Don't dismantle or repair the device whether it operates normally, otherwise no responsibility is assumed by manufacturer or seller.
- 3.Please refer to wiring diagram when connecting.
- 4.Never use the product at the site which can be invaded by corrode gas, strong sunshine light or rain.
- 5.(c) Copyright 2017 { Alltime Australia } All Rights Reserved. | Alltime is a trade mark owned by Alltime Australia.